

Our University



Friedrich Alexander University Erlangen Nuremberg

- Founded in **1743**
- **5** Faculties with **24** Departments
- **40,000** Students
- **11,000** Technical Students



Our Team

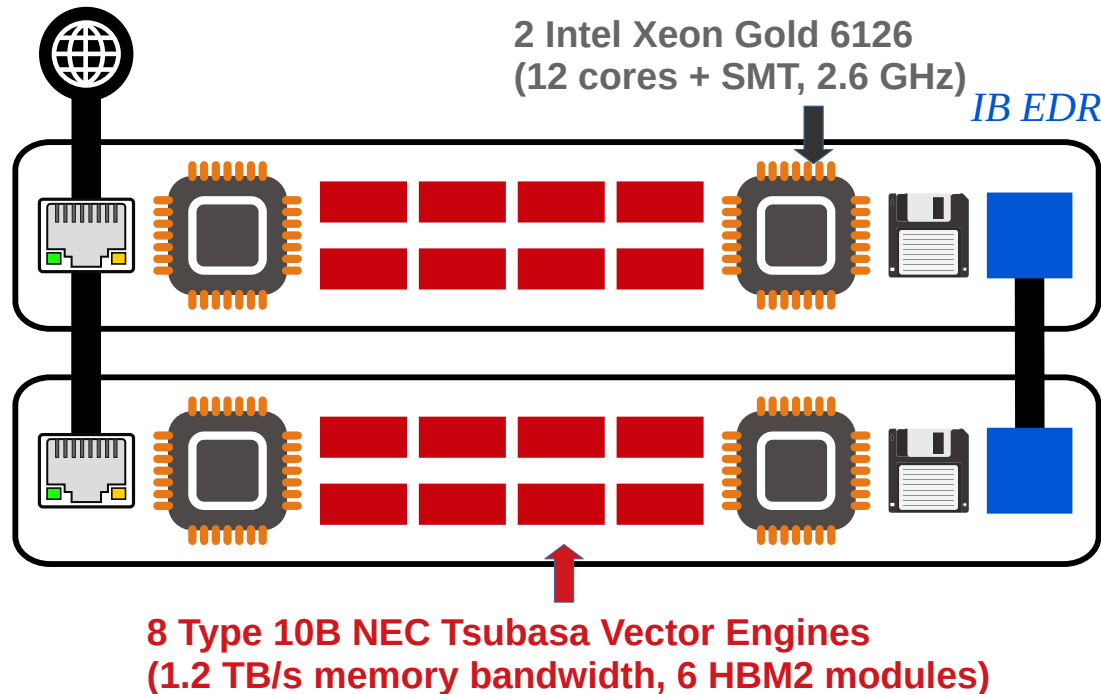
- **David Sauerwein**
 - Computer Science
- **Eva Dengler**
 - Computer Science
- **Johannes Lebender**
 - Computational Engineering
- **Florian Kloeppner**
 - Computational Engineering
- **Sebastian Boenning**
 - Computational Engineering
- **Dirk Plachta**
 - Computational Engineering



Our System

2 NEC SX-Aurora Tsubasa A300-8

- 192 GB 2666 MHz DDR4 RAM
- 6 Intel Optane SSDs with 1.5 TB, DC P4800x



Our Approach for HPL / HPCG

- HPL:** Parameter studies to optimize performance (NB, N, P, Q)
- HPCG:** Performance engineering by RRZE (Mr. Alappat) and NEC (Dr. Focht) increased FLOPs by a factor of two

Evaluation of various fan settings to find sweet spot between Temperature, power usage, and performance

